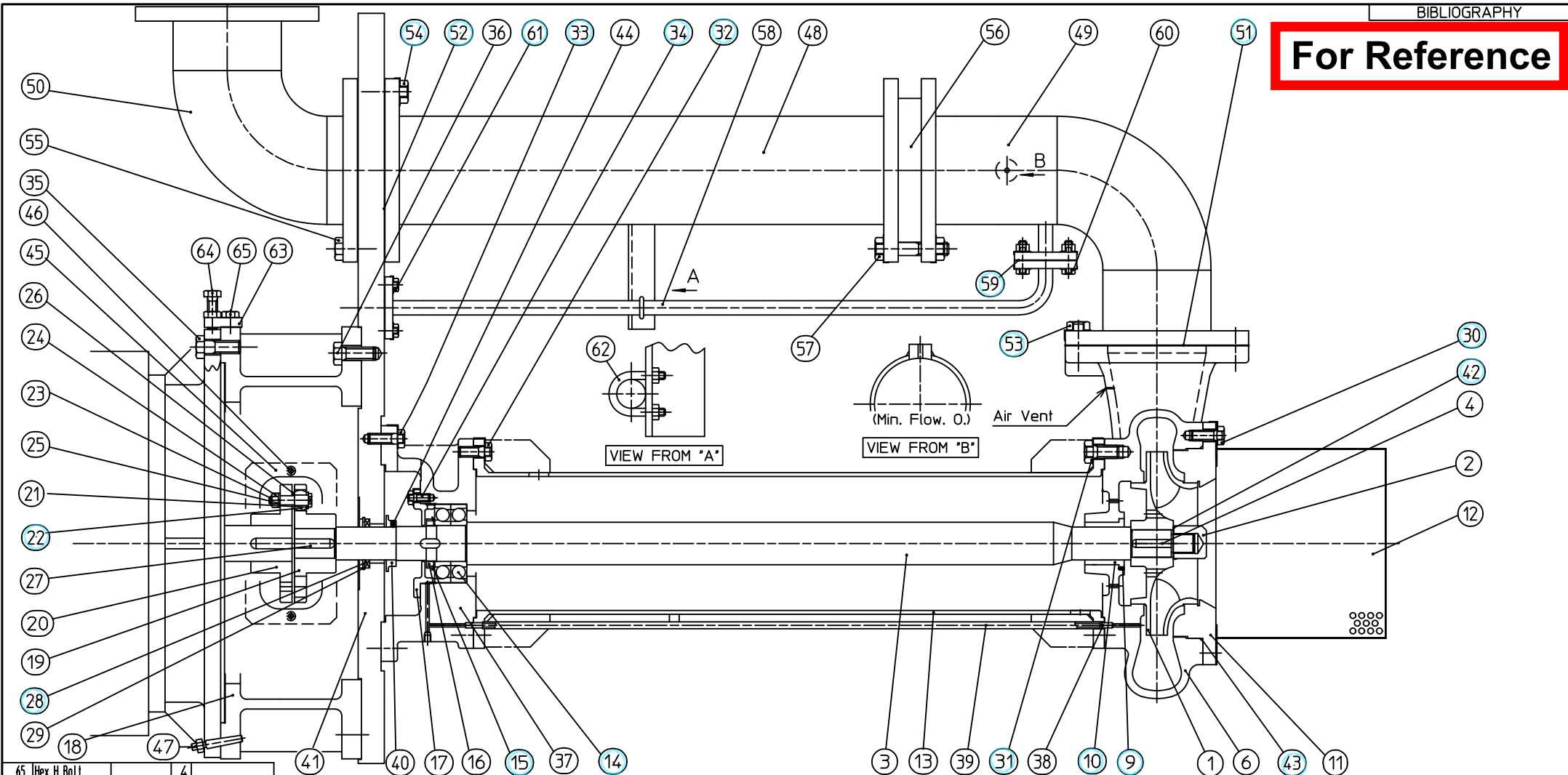


For Reference



65	Hex. H. Bolt		4		48	Disch. Pipe(I)	1		32	Hexagon H. Bolt	8	With Washer	16	Bearing Nut	1				
64	Jack Bolt		4	With Nut	47	Dowel Pin	2	With Nut	31	Hexagon H. Bolt	8	With Washer	15	Bearing Washer	1				
63	Plate		4		46	Machine Screw	4		30	Hexagon H. Bolt	8	With Washer	14	Ball Bearing	1				
62	U-Bolt		1	With U-Nut	45	Coupling Cover	2		29	Snap Ring	1		13	Support Pipe	1				
61	Hexagon H. Bolt		4	With Washer	44	Set Screw	2		28	Felt Ring	1		12	Strainer	1				
60	Hexagon H. Bolt		4	With Nut & Washer	43	O-Ring	1		27	Key	1		11	Suction Cover	1				
59	Sheet Gasket		2		42	Impeller Washer	1		26	Coupling Washer	8		10	Set Screw	2				
58	Gauge Pipe		1		41	Base	1		25	Coupling Washer	8		9	Neck Bush	1				
57	Hexagon H. Bolt		8	With Nut & Washer	40	Slinger	1		24	Coupling Nut	8		8						
56	Check Valve		1		39	Lubricating Pipe	1		23	Coupling Bolt	8		7						
55	Hexagon H. Bolt		8		38	Spring Pin	2		22	Coupling Rubber	8		6	Casing	1				
54	Hexagon H. Bolt		8	With Washer	37	Bearing Box	1		21	Coupling Washer	8		5						
53	Hexagon H. Bolt		8	With Washer	36	Hexagon H. Bolt	8		20	Coupling	1		4	key	1				
52	Sheet Gasket		2		35	Hexagon H. Bolt	8		19	Coupling	1		3	Shaft	1				
51	Sheet Gasket		1		34	Hexagon H. Bolt	4	With Washer	18	Motor Base	1		2	Impeller Nut	1				
50	Disch.Elbow		1		33	Hexagon H. Bolt	8	With Washer	17	Bearing Cover	1		1	Impeller	1				
49	Disch.Pipe (II)		1																
REF. No.	NAME OF ARTICLES	JIS SYMBOL	QTY	REMARKS	REF. No.	NAME OF ARTICLES	JIS SYMBOL	QTY	REMARKS	REF. No.	NAME OF ARTICLES	JIS SYMBOL	QTY	REMARKS	REF. No.	NAME OF ARTICLES	JIS SYMBOL	QTY	REMARKS

 : Spare Parts